



# New Audi Q7

Features, accessories, color, equipment may vary depending on variant and may not be currently offered. Dark shade of the glass is due to the lighting effect.



## The powerful all-rounder

The new Audi Q7 with its legendary quattro all-wheel drive, striking design, and room for seven is built to turn heads and take on any challenge. Performance that is unmatched, presence that is unforgettable. The new Audi Q7 does not just drive—it commands every road.

Features, accessories, color, equipment may vary depending on variant and may not be currently offered. Dark shade of the glass is due to the lighting effect.



## Performance features

Features, accessories, color, equipment may vary depending on variant and may not be currently offered. Dark shade of the glass is due to the lighting effect.



## Indomitable on every road

The quattro all-wheel drive with a self-locking differential dynamically redistributes power to each wheel as needed. With seamless torque distribution between the front and rear axles, this system delivers unmatched traction, stability, and a drive that is as exhilarating as it is controlled.



## Master every terrain

The adaptive air suspension system provides electronically controlled damping on all four wheels, adjusting the ride height and stiffness according to load. This system offers a remarkable 90 mm adjustment range, enhancing aerodynamics when lowered and ensuring peak comfort and agility. Every ride feels effortlessly smooth, even when the road does not.



## Redefine drive mode

Tailor your drive with Audi Drive Select—choose from seven distinct modes, including individual, auto, comfort, dynamic, efficiency, all-road and off-road settings. Each mode transforms the new Audi Q7 to meet your driving mood and road demands, ensuring a perfect experience every time.



## Exterior features

Features, accessories, color, equipment may vary depending on variant and may not be currently offered. Dark shade of the glass is due to the lighting effect.



## Fascinating lighting technology

Audi's signature Matrix LED headlights\* embody innovative lighting precision. This advanced technology offers high-resolution road illumination with adaptive light distribution, reducing glare for oncoming drivers while enhancing safety.



At the rear, LED brake lights create a unique light signature with swift activation, ensuring rapid recognition by following traffic. Dynamic turn signals sweep outward with elegance, always clearly visible in the direction of the turn.



## Progressive appearance

The redesigned 2D Audi rings at both front and rear encapsulate the brand's evolution, blending legacy with contemporary design.



## Presence that commands

Audi's iconic octagonal single-frame grille takes center stage with bold vertical inlays inspired by a droplet motif. This eye-catching detail amplifies the vehicle's sophistication, adding a powerful edge to its striking front design.



## Embrace the horizon

Enjoy the view with the two-part panoramic glass sunroof, effortlessly controlled for an immersive experience. Bringing in the sky above, it adds a touch of freedom to every drive for you and your co-passengers.



## Design statement on every road

The 50.8 cm 5-twin-spoke R20 alloy wheels\* are a fusion of strength and style. Designed to perform, deliver durability and a confident ride while making an iconic statement with a sleek, dynamic aesthetic.



## Unlock convenience with a touch

Discover ultimate convenience with the sensor-controlled tailgate. With just a press, access or secure the cargo space smoothly, simplifying every loading and unloading experience.



## Interior features

Features, accessories, color, equipment may vary depending on variant and may not be currently offered. Dark shade of the glass is due to the lighting effect.





## Customized comfort

The electrically adjustable seats effortlessly adapts to adjustments to provide the perfect fit. The driver's seat memory function stores two presets, allowing to save and access preferred settings for seat position and exterior mirrors with a simple button on the door trim.



## Transform space with ease

Maximize your space with ease. The new Audi Q7's third-row seats fold at the touch of a button, transforming the rear space to accommodate all the storage needs.



## Sophistication in every stitch

Wrap yourself in luxury with cricket leather upholstery, exuding sophistication and comfort. Every seat is crafted to deliver a premium, indulgent experience.



## Progress comes to light

Create the perfect atmosphere with the ambient lighting package plus. This customisable, multi-coloured illumination brings a soft glow to interior contours and surfaces, creating a refined, personalised atmosphere that complements the new Audi Q7's design.



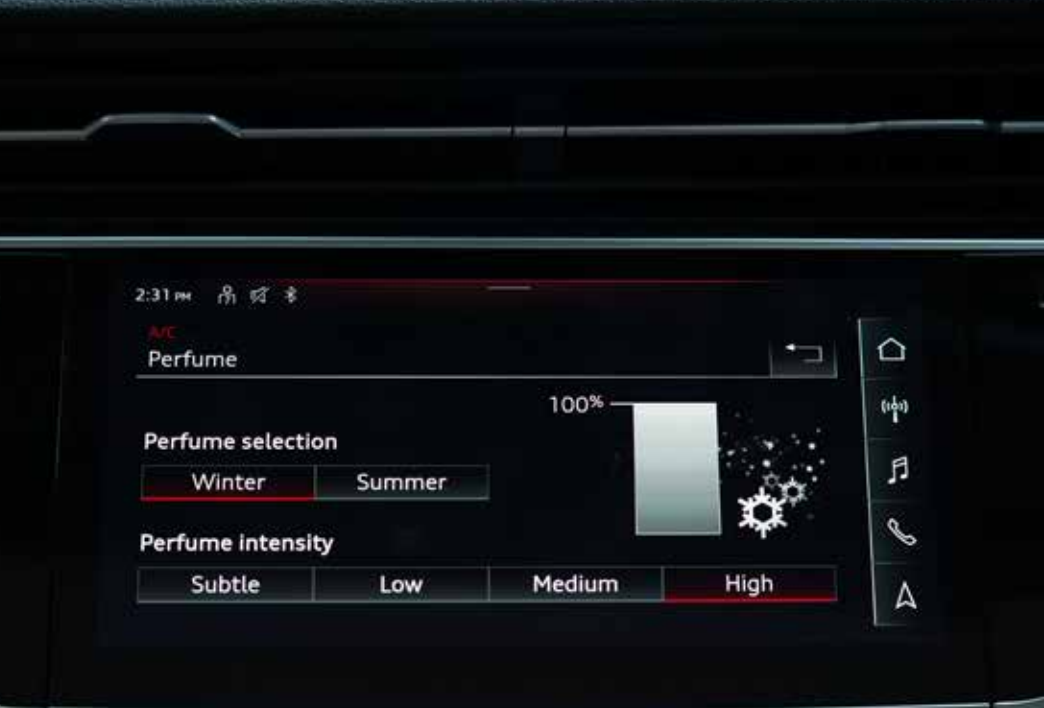
## Comfort features

Features, accessories, color, equipment may vary depending on variant and may not be currently offered. Dark shade of the glass is due to the lighting effect.



## 4-zone climate control system

Tailor the perfect climate for every seat. With 4-zone air conditioning, each of the four primary occupant can individually adjust temperature and airflow to their preference. Control is intuitive, with touch-response displays in the front and touch-operated controls in the rear.



## Air Ionizer and Aromatization

Enjoy fresher air with Audi's Air Ionizer and Aromatization.\* The ionizer enhances air quality, while a subtle fragrance is infused into the airflow, creating a soothing, refined ambiance that stays fresh miles after miles.



## Audi Phone Box

Seamlessly integrate your smartphone with Bluetooth connectivity, allowing calls and music streaming, plus wireless charging for compatible devices. With LTE support enjoy crystal-clear calls and improved signal strength. Connect up to two phones and manage calls, contacts, and even messages through the MMI display.



## See beyond limit

Maintain clear visibility with adaptive windscreen wipers.\* Integrated washer nozzles spray cleaning fluid directly onto the windshield, enhancing performance and keeping the view clear, no matter the conditions.

Features, accessories, color, equipment may vary depending on variant and may not be currently offered. Dark shade of the glass is due to the lighting effect.

\*All features marked (\*) are only available in the Technology Variant.



## Infotainment features

Features, accessories, color, equipment may vary depending on variant and may not be currently offered. Dark shade of the glass is due to the lighting effect.



## Vision perfected

Adaptive, intuitive, and fully digital—the Audi Virtual Cockpit Plus redefines the driver's view. Its 31.24 cm full HD screen provides ultra-clear visuals, offering classic, dynamic, and sport display modes to suit your driving style. From engine performance to navigation and media, this customizable display keeps you connected to every detail.



## MMI Navigation

Navigate and entertain seamlessly with the 25.65 cm dual-screen MMI navigation plus, featuring MMI touch response. With haptic feedback and versatile controls, including 3D map navigation. Operate it via touch, voice, or character recognition for an effortless experience.



## Stay connected on-the-move

The Audi Smartphone Interface effortlessly integrates the mobile device with the new Audi Q7's MMI touch display, allowing to access selected apps with a familiar and intuitive interface. Enjoy seamless control and connectivity everywhere.





## Three-dimensional sound experience

Surround yourself with Bang & Olufsen premium 3D sound system\* powered by 19 speakers and a dedicated subwoofer. Driven by a 16-channel amplifier with 730 Watts, the Fraunhofer Symphoria technology delivers a breathtaking 3D concert-like experience, transforming every drive into a front-row performance.



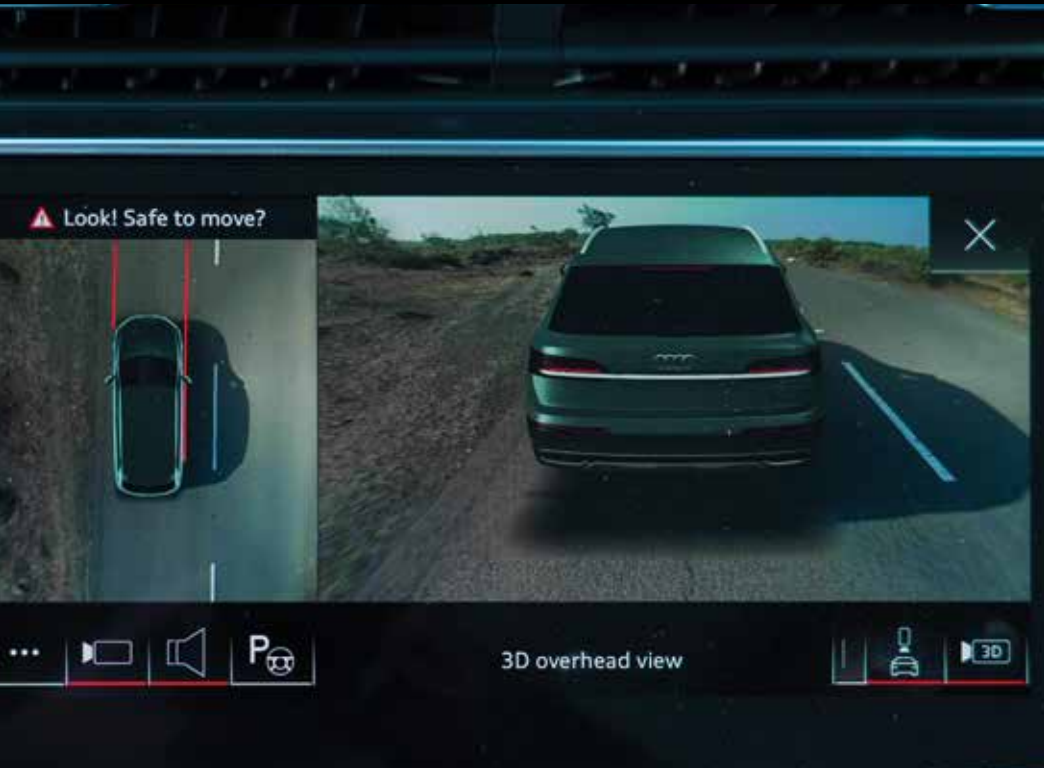
## Power up

Effortlessly charge the smartphone and other devices on the go with additional two rear USB ports, ensuring you and your co-passengers stay powered up wherever the road leads.



## Safety features

Features, accessories, color, equipment may vary depending on variant and may not be currently offered. Dark shade of the glass is due to the lighting effect.



## Park Assist Plus with 360 degree camera

The precise and perceptive park assist plus with 360 degree camera\* and parking aid plus makes parking a simple task by detecting suitable spaces. The four wide-angle surrounding cameras cover the entire area immediately around the vehicle and enable a variety of different views for even more comfortable parking experience.



## Uncompromising safety

The new Audi Q7's commitment to safety is uncompromising, with 8 strategically placed airbags to protect you and your co-passengers. Positioned in the front and sides, they are designed to provide comprehensive protection wherever the road takes you.



## Take control in style

Stay on track with Lane Departure Warning, which gently alerts with subtle steering pulses whenever the vehicle unintentionally crosses lane markings, helping maintain centering and safety.



## Own the Pace

Maintain the pace with confidence. The cruise control system, enhanced with an adjustable speed limiter, keeps the drive steady while helping stay within speed limits. It works seamlessly with MMI navigation plus to adapt to road data, enhancing the driving experience.

Features, accessories, color, equipment may vary depending on variant and may not be currently offered. Dark shade of the glass is due to the lighting effect.

\*All features marked (\*) are only available in the Technology Variant.





**Sakhir Gold**



**Waitomo Blue**



**Glacier White**



**Mythos Black**



**Samurai Gray**



## Exterior colour options



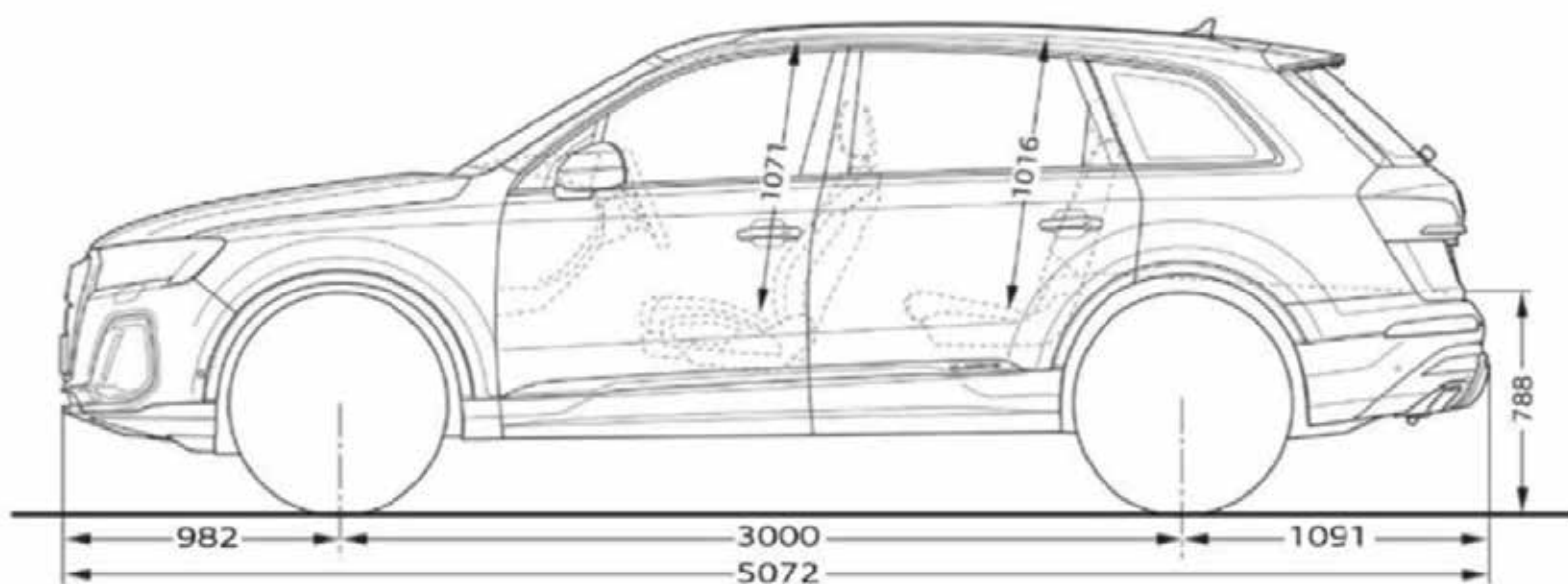
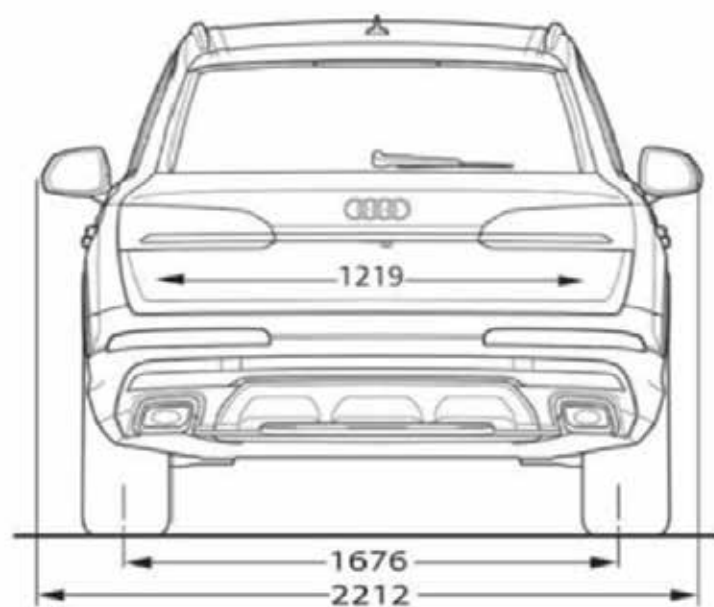
**Cedar Brown**



**Saiga Beige**



## **Interior colour options**



# New Audi Q7

## Technical specifications

### Engine type / Displacement (cc)

V6 engine / 2995

### Max. power output in kW (PS) @ rpm

250 (340) @ 5200 - 6400

### Max. torque in Nm @ rpm

500 @ 1370 - 4500

### Drive type

quattro all-wheel drive

### Transmission type

8-speed tiptronic

### Top speed in km/h

250

### Acceleration, 0-100 km/h

5.6

### Wheelbase (mm)

3000

### Dimensions (LxWxH)mm

5072 x 1970 x 1705